



DISTRIBUTIVE TRANSFORMERS

Rade Koncar-TEP

■ DISTRIBUTIVE TRANSFORMERS OIL IMMERSED

Transformers are made in accordance with standard IEC 60076, and all applicable standards VDE, GOST, etc.. In terms of the construction there are two types:

- Type T, with conservator
- Type HT, hermetically sealed

In terms of losses, there are also two versions:

- Series with losses: Co-Ck
- Series with losses: Co-Bk

On special request there is possibility for production of transformer with characteristics that will suit the individual requirements.

On special request we are equipping our transformers with insulated plugs for high voltage and insulated multi cable connectors for the low voltage output.

Each type of transformer has been filled with mineral oil which does not contain PCB components.

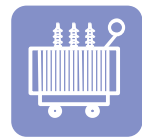
More detailed information you can find in the product catalogue - Distributive transformers Rade Koncar TEP.

TECHNICAL CHARACTERISTIC FO TRANSFORMERS Type T and Ht

Power kVA	Voltage kV	Vector group	Regulation	Uk	SERIES-C		SERIES-B		SERIES-A																																	
					No load losses Co (W)	Load Losses Ck (W)	No load losses Bo (W)	Load Losses Bk (W)	No load losses Ao (W)	Load Losses Ak (W)																																
50	10/0.4(0.42)	Yzn5	±2x2.5%	4%	125	1100	110	875	90	750																																
	20/10/0.4(0.42)																																									
100	10/0.4(0.42)										Dyn5	6%	210	1750	180	1475	145	1250																								
	20/10/0.4(0.42)																																									
160	10/0.4(0.42)																		±2x2.5%	4%	300	2350	260	2000	210	1700																
	20/10/0.4(0.42)																																									
250	10/0.4(0.42)																										6%	4%	425	3250	360	2750	300	2350								
	20/10/0.4(0.42)																																									
400	10/0.4(0.42)																																		6%	6%	610	4600	520	3850	430	3250
	20/10/0.4(0.42)																																									
630	10/0.4(0.42)	6%	6%	860	6500	730	5400	600	4600																																	
	20/10/0.4(0.42)																																									
1000	10/0.4(0.42)									6%	6%	1100	10500	940	9000	770	7600																									
	20/10/0.4(0.42)																																									
1250	10/0.4(0.42)																	6%	6%	1350	13500	1150	11000	950	9500																	
	20/10/0.4(0.42)																																									
1600	10/0.4(0.42)																									6%	6%	1700	17000	1450	14000	1200	12000									
	20/10/0.4(0.42)																																									



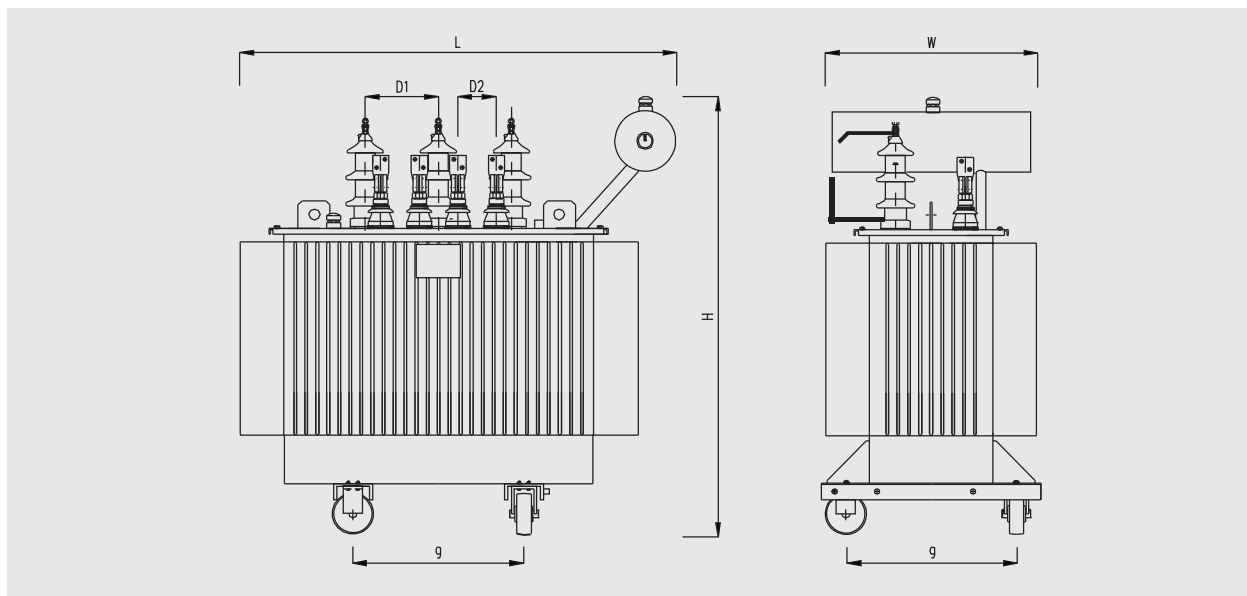
DISTRIBUTIVE TRANSFORMERS



Rade Koncar-TEP

DIMENSIONS AND WEIGHT OF TRANSFORMERS type-T

Power kVA	Voltage kV	L	W	g	H	D1	D2	Weight kg	
								Oil	Total
50	10/0.4(0.42)	1060	560	420	1120	200	120	110	410
	20/10/0.4(0.42)	1050	510	420	1380	265	120	140	480
100	10/0.4(0.42)	1180	660	420	1160	200	120	130	560
	20/10/0.4(0.42)	1150	620	520	1450	265	120	180	650
160	10/0.4(0.42)	1210	680	520	1280	200	120	160	790
	20/10/0.4(0.42)	1250	570	520	1550	265	120	230	880
250	10/0.4(0.42)	1220	750	520	1320	200	120	180	960
	20/10/0.4(0.42)	1320	670	520	1650	265	120	280	1100
400	10/0.4(0.42)	1580	690	620	1500	200	120	320	1480
	20/10/0.4(0.42)	1500	730	620	1750	265	120	400	1600
630	10/0.4(0.42)	1650	800	620	1760	200	140	440	2020
	20/10/0.4(0.42)	1600	730	620	1850	265	140	500	2160
1000	10/0.4(0.42)	2060	1090	800	1810	300	220	560	2660
	20/10/0.4(0.42)	1860	900	800	1960	300	220	680	2820
1250	10/0.4(0.42)	1950	960	800	1950	300	220	640	3250
	20/10/0.4(0.42)	2408	1180	800	1865	340	220	940	3000
1600	10/0.4(0.42)	2100	1150	800	1970	350	220	750	3900
	20/10/0.4(0.42)	2043	1020	800	1984	300	220	610	3230





DISTRIBUTIVE TRANSFORMERS

Rade Koncar-TEP

DIMENSIONS AND WEIGHT OF TRANSFORMERS type-HT

Power kVA	Voltage kV	L	W	g	H	D1	D2	Weight kg	
								Oil	Total
50	10/0.4(0.42)	824	553	420	1065	200	120	110	390
	21/10.5/0.4(0.42)	860	600	420	1350	265	120	145	470
100	10/0.4(0.42)	972	560	420	1110	200	120	115	515
	21/10.5/0.4(0.42)	910	660	520	1380	265	120	170	640
160	10/0.4(0.42)	975	585	520	1230	200	120	190	850
	21/10.5/0.4(0.42)	1000	670	520	1450	265	120	210	850
250	10/0.4(0.42)	1217	652	520	1270	250	130	240	900
	21/10.5/0.4(0.42)	1060	770	520	1500	265	120	280	1130
400	10/0.4(0.42)	1197	687	620	1340	250	130	340	1280
	21/10.5/0.4(0.42)	1170	800	620	1600	265	120	360	1570
630	10/0.4(0.42)	1542	872	620	1500	265	140	350	1800
	21/10.5/0.4(0.42)	1300	900	620	1780	265	140	490	2170
1000	10/0.4(0.42)	1847	1087	800	1620	300	220	620	2800
	21/10.5/0.4(0.42)	1760	980	800	1750	300	220	650	2850

